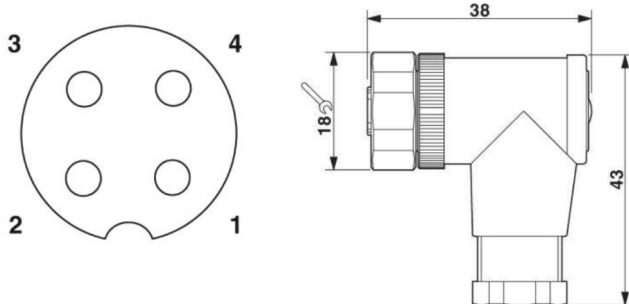


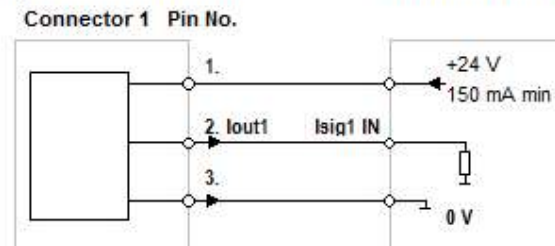
Electrical requirements:  
24VDC 250mA  
Cross section of wire 0.34mm<sup>2</sup>

Housing: BOT, HOT, HRT, NOT, NRT:

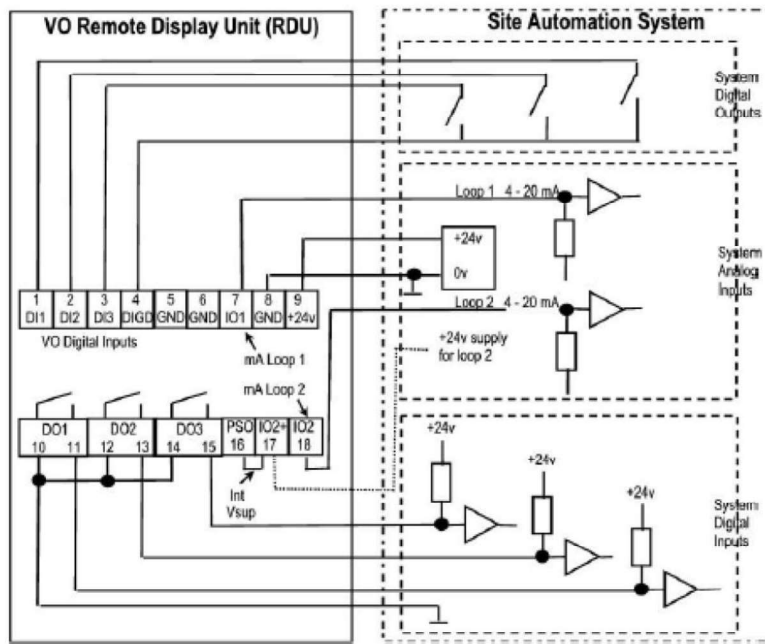


**Optical transmitter**

**Automation system**



Housing: LOV:



Analog output signal according to NAMUR NE 043:

